

ANGLEPOISE®

Anglepoise Original 1227 Midi Wide Brass Pendant

LA5303/BW

SOURCE: <https://www.davidvillagelighting.co.uk/product/Anglepoise-Original-1227-Midi-Wide-Brass-Pendant/10000129>



PRODUCT DESCRIPTION

Designer: George Carwardine

Anglepoise Original 1227 Midi Wide Brass Pendant

The Anglepoise Original 1227 Midi Wide Brass Pendant is a reimagining of the [Original 1227 Midi Brass Pendant](#), modifying the iconic 1227 shade into a shallow, saucer-style pendant. Equipped with brass fittings and a braided cord cable, the 1227 Midi Wide adds a contemporary twist to a design classic. Its lower profile and wide diameter create a statement in residential and commercial environments alike.

The Anglepoise Original 1227 Midi Wide Brass Pendant is available in three finishes: Elephant Grey, Ink Blue, and Jet Black. These bold colourways contrast effectively against the brass fittings, softening the pendant's overall appearance for a more decorative aesthetic. Display above a surface to create a wide pool of functional light or, in larger spaces, install multiples in clusters for a unique composition with a bold personality.

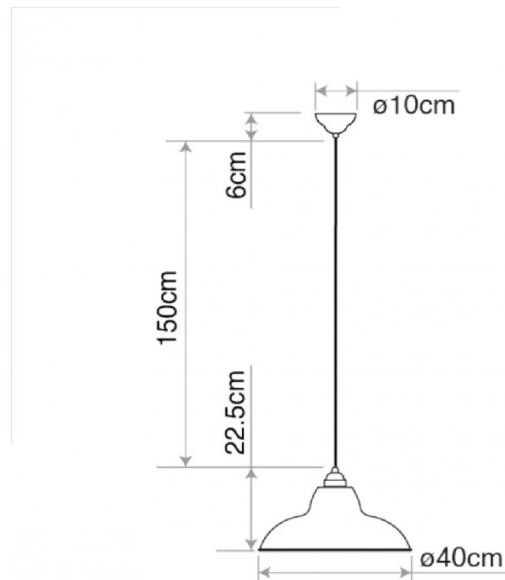
PRODUCT SPECIFICATION

Light Source: 1 x Max 15W E27 (Excluded)

IP Code: 20

Dimming: Dimmable via mains phase dimming.

Dimensions: Shade: Ø40cm
Shade Height: 22.5cm
Cable Length: 150cm
Ceiling Rose: Ø10cm





For all sales and technical enquiries, please contact:

+44 (0)114 263 4266

info@davidvillagelighting.co.uk

www.davidvillagelighting.co.uk