

ANGLEPOISE®

Anglepoise Original 1227 Floor Lamp National Trust

LA10582/F

SOURCE: <https://www.davidvillagelighting.co.uk/product/Anglepoise-Original-1227-Floor-Lamp-National-Trust/10000523>



PRODUCT DESCRIPTION

Designer: George Carwardine

Anglepoise Original 1227 Floor Lamp National Trust Edition

The National Trust Edition of the Original 1227 Floor Lamp embodies the design of the iconic 1227 table lamp, designed by George Carwardine in 1935. This edition reimagines the classic silhouette as a floor lamp, maintaining the original's innovative spring mechanism. In collaboration with the National Trust, for each purchase of this limited-edition floor lamp, Anglepoise will contribute to the charity, aiding in the conservation, enhancement, and protection of National Trust sites.

The Original 1227 Floor Lamp National Trust Edition is available in three exclusive finishes: Sage Green, Neptune Blue, and Buttermilk Yellow. Its adjustable frame and tiltable shade allow for focused lighting that's well-suited for use as a reading light beside a sofa, bed, or in an office. Well-considered details such as a braided coloured cable and a subtly positioned National Trust Badge add to the lamp's decorative aesthetic, making it a stylish, contemporary accessory that celebrates British design history.

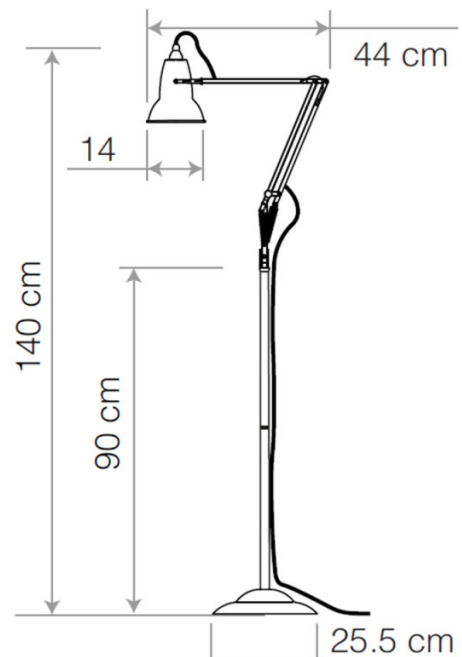
PRODUCT SPECIFICATION

Light Source: 1 x Max 6W E27 LED (Included)

IP Code: 20

Dimming: In line on/off switch included on cable.

Dimensions: Shade: Ø14cm
Shade Height: 16cm
Maximum Horizontal Reach: 72cm
Base: Ø25.5cm
Cable Length: 200cm





For all sales and technical enquiries, please contact:

+44 (0)114 263 4266

info@davidvillagelighting.co.uk

www.davidvillagelighting.co.uk