

DCW editions Poudrier LED Wall Light

LA10785

SOURCE: <https://www.davidvillagelighting.co.uk/product/DCW-editions-Poudrier-LED-Wall-Light/10001023>

PRODUCT DESCRIPTION

Designer: Philippe Nigro

DCW editions Poudrier LED Wall Light

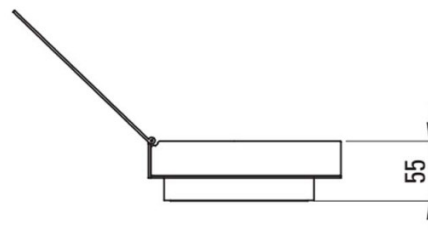
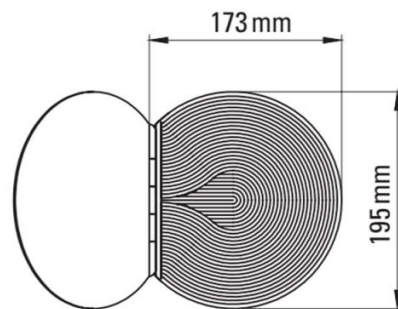


Designed by Phillippe Nigro for DCW editions, the Poudrier LED Wall Light is an elegant lighting solution; originally designed for bathrooms, but can be used a wide variation of interiors. Inspiration was drawn from a traditional powder case, with the key aspect of the lighting solution being the mechanical action of opening or closing it - this manoeuvre adjusts the light intensity, encouraging you to interact with Poudrier. The polished brass flap also acts as a pivoting mirror thanks to a visible hinge, and the illumination is diffused by a thick glass pane, throughout its depth. This glass pane features a wave effect, allowing for a smooth light dispersion but also resembling a fingerprint. Each Poudrier has an individual fingerprint and is completely unique.

DCW editions Poudrier Wall Light is a contemporary way to brighten up your bathroom, the personalisation of the light intensity allows you to adjust the ambience depending on your mood. The Poudrier can be displayed individually in smaller spaces or grouped together in larger rooms to create a composition on your wall.

PRODUCT SPECIFICATION

- Light Source:** 8W, 2700K, 800 Lumens
- IP Code:** 44
- Dimming:** Dimmable via Triac dimming.
- Dimensions:** Height: 19.5cm
Width: 17.3cm
Depth: 5.5cm





For all sales and technical enquiries, please contact:

+44 (0)114 263 4266

info@davidvillagelighting.co.uk

www.davidvillagelighting.co.uk