

ANGLEPOISE®

# Anglepoise Original 1227 Desk Lamp

LA7085

SOURCE: <https://www.davidvillagelighting.co.uk/product/Anglepoise-Original-1227-Desk-Lamp/14256>

## PRODUCT DESCRIPTION

Designer: George Carwardine

### Anglepoise Original 1227 Desk Lamp

The Anglepoise Original 1227 Desk Lamp is an icon in British design. Designer and engineer George Carwardine first released the 1227 lamp in 1932, introducing the 3-spring mechanism that is still used today. This mechanism allows the lamp to be angled and positioned with a light touch for ultimate flexibility and perfect balance. The base is crafted from iron with a steel cover to ensure durability and sturdiness.

The Original 1227 Desk Lamp boasts an unmistakable profile that is recognised worldwide. Available in five colourways, the 1227 is a timeless lamp that adds a bold personality to any interior. Producing focused task lighting, the 1227 is well-suited for home, work or study, providing the perfect balance between style and functionality. Display throughout the home with other pieces from the [Original 1227 Collection](#) for a cohesive theme that celebrates classic British design.



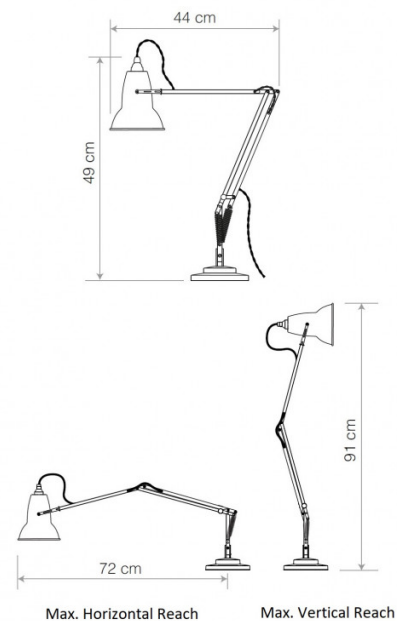
## PRODUCT SPECIFICATION

**Light Source:** 1 x Max 6W E27 LED (Included)

**IP Code:** 20

**Dimming:** In-line on/off switch included on cable.

**Dimensions:** Shade: Ø14cm  
 Shade Height: 16cm  
 Max Reach (from base to shade): 91cm  
 Base: 15cm x 15cm  
 Cable Length: 200cm





**For all sales and technical enquiries, please contact:**

+44 (0)114 263 4266

[info@davidvillagelighting.co.uk](mailto:info@davidvillagelighting.co.uk)

[www.davidvillagelighting.co.uk](http://www.davidvillagelighting.co.uk)