

Artemide

Artemide Tolomeo LED Table Lamp with Motion Sensor

LA4265

SOURCE: <https://www.davidvillagelighting.co.uk/product/Artemide-Tolomeo-LED-Table-Lamp-with-Motion-Sensor/17086>

PRODUCT DESCRIPTION

Designer: Michele De Lucchi & Giancarlo Fassina

Artemide Tolomeo LED Table with Motion Sensor

The Tolomeo LED Table Lamp with Motion Sensor is one of the most innovative and technology-driven lights in the [Artemide Tolomeo Collection](#). The instantly recognisable design features the Tolomeo's signature spring-balanced arm, synonymous with the series. This articulated arm is fully adjustable, while the rotatable diffuser can be rotated 90 degrees in both directions. An aluminium reflector ensures bright and even light distribution, making the Tolomeo LED Table Lamp perfect for illuminating a work surface.

A motion sensor sets this version of the Tolomeo Table Lamp apart from the rest of the collection. When movement is detected (at a radius of 2.5m), the lamp automatically switches on, and, if no further movement is detected after 12 minutes, the table lamp switches off. This innovative feature adds a contemporary touch to the classic design, adding an element of convenience and energy efficiency. Display in an office, at a bedside, or beside a sofa for precise lighting with the benefit of hands-free operation.



PRODUCT SPECIFICATION

Light Source: 10W, 3000K, 593 Lumens

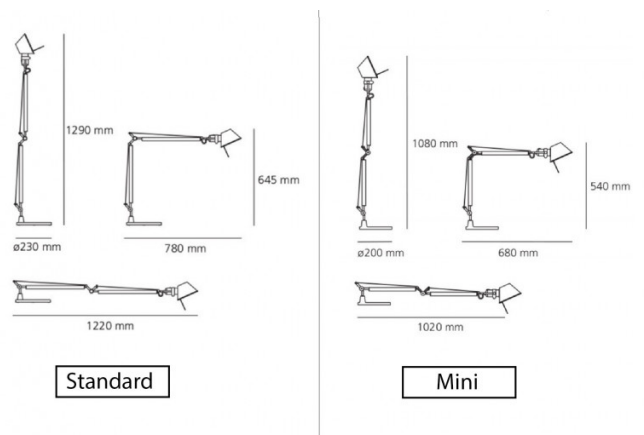
IP Code: 20

Dimming: Integrated dimmer on the product.

Dimensions: Standard:
 Height: 64.5-129cm
 Depth: 78-122cm
 Base: Ø23cm

Mini:
 Height: 54-108cm
 Depth: 54-102cm
 Base: Ø20cm

Cable Length: 120cm





For all sales and technical enquiries, please contact:

+44 (0)114 263 4266

info@davidvillagelighting.co.uk

www.davidvillagelighting.co.uk