

ANGLEPOISE®

# Anglepoise Original 1227 Mini Ceramic Table Lamp

LA4797

SOURCE: <https://www.davidvillagelighting.co.uk/product/Anglepoise-Original-1227-Mini-Ceramic-Table-Lamp/17982>

## PRODUCT DESCRIPTION

Designer: George Carwardine

### Anglepoise Original 1227 Mini Ceramic Table Lamp

Part of the [Anglepoise Original 1227 Mini](#) series, the Original 1227 Mini Ceramic Table Lamp features the same compact form that is synonymous with the range. The shade is crafted from bone china, giving the lamp a softer aesthetic than the original. This delicate appearance and small size make it a perfect fit for a bedside lamp, providing an effective reading light with a soft, ambient glow.

The Original 1227 Mini Ceramic Table Lamp features an integrated on/off switch on its base. The pyramid-shaped base is ergonomically weighted to provide balance and sturdiness. When switched on, the ceramic shade turns translucent, creating a warm glow that bathes the surrounding space. The chrome-plated fittings complement the glossy smoothness of the shade, while the grey fabric cables provide a subtle textural contrast.



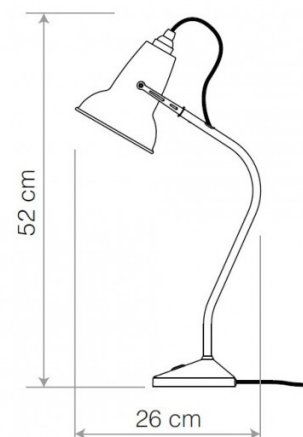
## PRODUCT SPECIFICATION

**Light Source:** 1 x Max 6W E27 LED (included)

**IP Code:** 20

**Dimming:** Integrated on/off switch on the product.

**Dimensions:** Shade: Ø13cm  
Shade Height: 14cm  
Base: 13cm x 13cm  
Height: 52cm  
Cable Length: 180cm





**For all sales and technical enquiries, please contact:**

+44 (0)114 263 4266

[info@davidvillagelighting.co.uk](mailto:info@davidvillagelighting.co.uk)

[www.davidvillagelighting.co.uk](http://www.davidvillagelighting.co.uk)